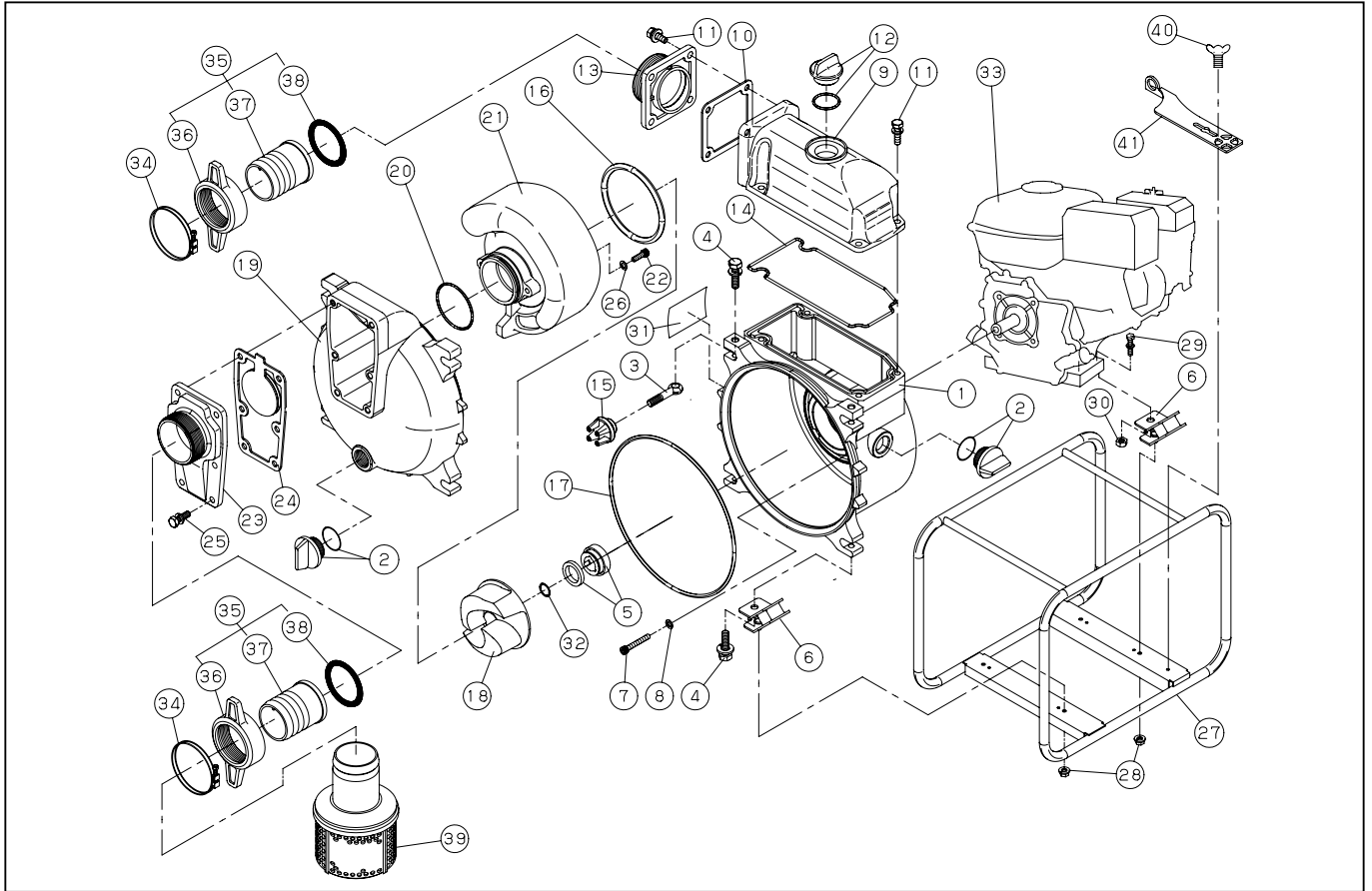


# KTH-80X

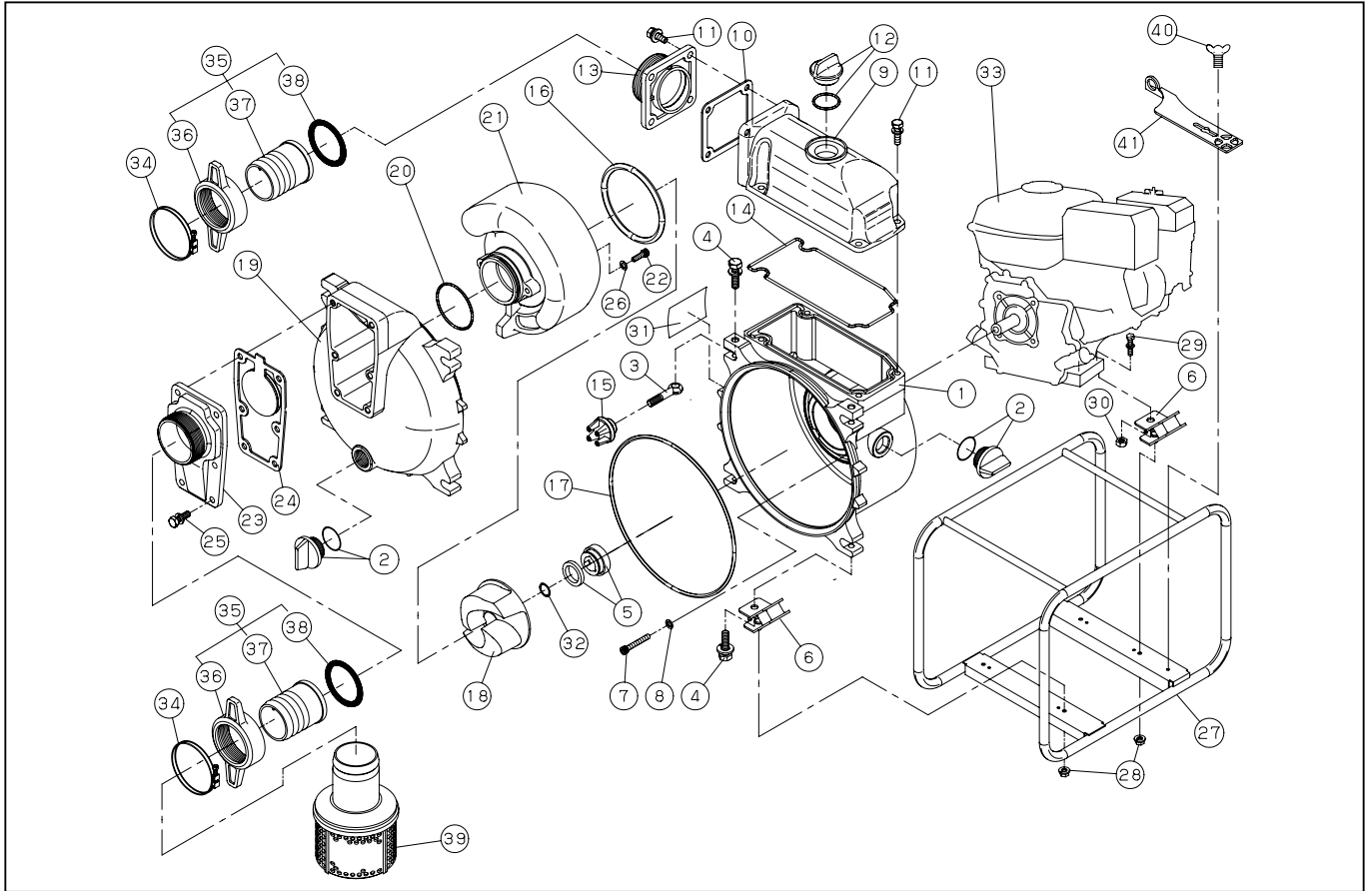


DWG No.012857007 MODEL:KTH-80X FORM:KTH-80X-BAB-0

| No. | PARTS CODE | PARTS NAME              | QTY | MATERIAL             | SIZE   | REMARKS |
|-----|------------|-------------------------|-----|----------------------|--------|---------|
| 1   | 011554604  | PUMP HOUSING            | 1   | ADC                  |        |         |
| 2   | 011807901  | 25A PLUG SET            | 2   |                      |        |         |
| 3   | 011558001  | COVER BOLT              | 4   | S35C                 |        |         |
| 4   | 743119083  | HEXAGON BOLT            | 4   | SWRM                 | M12X45 |         |
| 5   | 011567802  | MECHANICAL SEAL         | 1   | EH791-25 SICXSIC     |        |         |
| 6   | 011567901  | RUBBER MOUNT            | 4   | CR                   |        |         |
| 7   | 011651601  | SOCKET BOLT             | 4   | SCM                  | M8X55  |         |
| 8   | 011649302  | WASHER                  | 4   | ALUMINIUM A1100 PH14 | φ 8    |         |
| 9   | 011554702  | DELIVERY HOUSING        | 1   | ADC                  |        |         |
| 10  | 011058402  | DELIVERY FLANGE PACKING | 1   | CR                   |        |         |
| 11  | 743119063  | HEXAGON BOLT            | 8   | SWRM                 | M10X30 |         |
| 12  | 011845001  | 32A PLUG SET            | 1   |                      |        |         |
| 13  | 011583801  | DELIVERY FLANGE         | 1   | ADC                  |        |         |
| 14  | 011554801  | HEAD PACKING            | 1   | NBR                  |        |         |
| 15  | 011559001  | KNOB                    | 4   |                      |        |         |
| 16  | 011557801  | CASING PACKING          | 1   | NBR                  |        |         |
| 17  | 011557901  | FRONT COVER PACKING     | 1   | NBR                  |        |         |
| 18  | 011555803  | IMPELLER                | 1   | HRFC                 |        |         |
| 19  | 011554501  | FRONT COVER             | 1   | ADC                  |        |         |
| 20  | 011567601  | O-RING                  | 1   | NBR                  |        |         |
| 21  | 011555902  | VOLUTE CASING           | 1   | FCD                  |        |         |
| 22  | 734505066  | HEXAGON SOCKET BOLT     | 2   | SUS                  | M8X25  |         |
| 23  | 011157302  | SUCTION FLANGE          | 1   | ADC                  |        |         |
| 24  | 011569201  | CHECK VALVE PACKING     | 1   | NBR                  |        |         |
| 25  | 743119061  | HEXAGON BOLT            | 6   | SWRM                 | M10X25 |         |
| 26  | 854255008  | SEAL WASHER             | 2   |                      | φ 8    |         |
| 27  | 011749401  | BASE SET                | 1   |                      |        |         |
| 28  | 842319008  | SPRING NUT              | 4   | SWRM                 | M8     |         |
| 29  | 743119065  | HEXAGON BOLT            | 2   | SWRM                 | M10X35 |         |
| 30  | 827419010  | HEXAGON NUT             | 2   | SWRM                 | M10    |         |

◆ Bare engine can not be supplied

# KTH-80X



DWG No.012857007 MODEL:KTH-80X FORM:KTH-80X-BAB-0

| No. | PARTS CODE | PARTS NAME                | QTY | MATERIAL    | SIZE  | REMARKS |
|-----|------------|---------------------------|-----|-------------|-------|---------|
| 31  | 011586002  | NAME PLATE                | 1   |             |       |         |
| 32  | 011008101  | IMPELLER ADJUSTING WASHER | 3   |             | T0.3  |         |
| 33  | 011573802  | HONDA ENGINE(WITH ALART)  | 1   | GX240U1WKT2 |       |         |
| 34  | 940407090  | HOSE BAND                 | 3   |             | 3"    |         |
| 35  | 011702802  | COUPLING SET              | 2   | ABS         |       |         |
| 36  | 011437502  | COUPLING                  | 2   | ABS         |       |         |
| 37  | 011030105  | HOSE NIPPLE               | 2   | ABS         |       |         |
| 38  | 011437801  | COUPLING PACKING          | 2   | NBR         |       |         |
| 39  | 011097803  | STRAINER                  | 1   | SPC         |       |         |
| 40  | 741305153  | WING BOLT                 | 1   | SUS         | M8X15 |         |
| 41  | 011576702  | TOOL                      | 1   | SPC         |       |         |
|     | 011585902  | PACKING CASE              | 1   | K6W         |       |         |
|     | 011591103  | OPERATION MANUAL          | 1   |             |       |         |
|     | 011471806  | CE MARK LABEL             | 1   |             |       |         |
|     | 011471302  | CAUTION LABEL             | 1   |             |       |         |
|     | 011473401  | ENGINE CAUTION LABEL A    | 1   |             |       |         |
|     | 011473501  | ENGINE CAUTION LABEL B    | 1   |             |       |         |
|     | 011482009  | DECLARATION               | 1   |             |       |         |
|     | 011641301  | EU NOISE LABEL (110)      | 1   |             |       |         |

◆ Bare engine can not be supplied